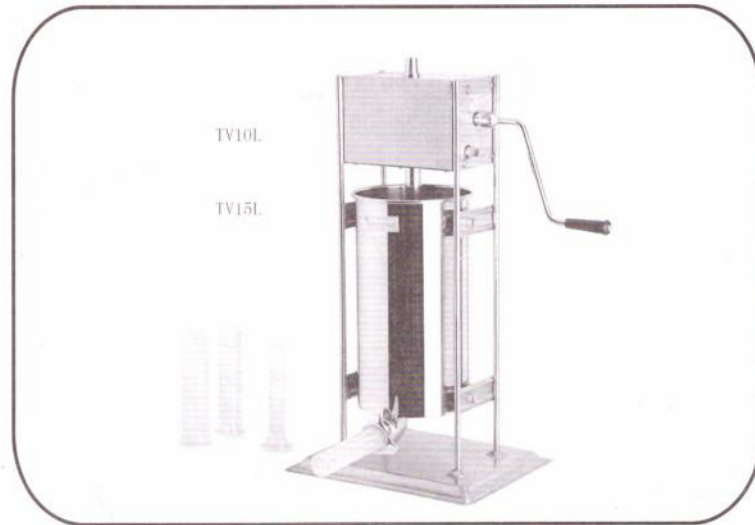


Vertical Sausage stuffer Instruction



I. Brief introduction:

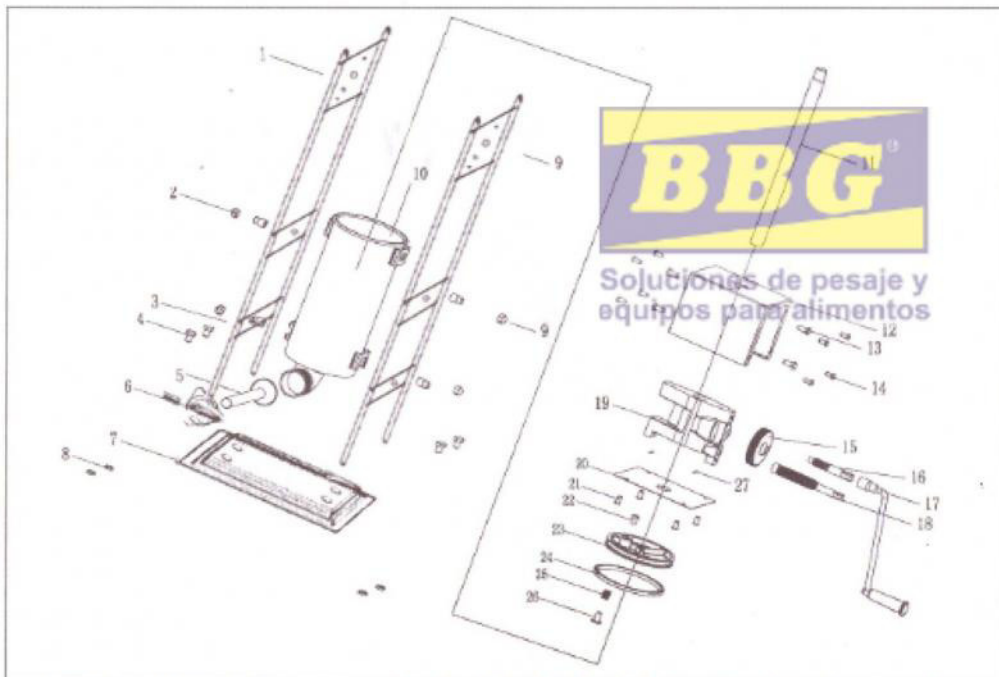
Full stainless steel construction, vertical design, long service life, it has a new, gearing system, which enables the user to release the plunger for really quick and easy re-filling. It is ideal for the home sausage maker or restaurant wanting to make a Gourmet sausage; with 4 specifications stainless steel making tube, easy clean and two level speed for powerful pushing and quick lifting.

II. Structure and name of the part



Soluciones de pesaje y
equipos para alimentos

EMBUTIDORA MANUAL MARCA BBG REF: TVR



EMBUTIDORA MANUAL MARCA BBG REF: TVR

SN	Code	Name	Quantity	Remark
1	612001001	Left platel	1	10L=498cm 15L=605cm
2	612001002	Canopy Nut	4	
3	612001003	Inner hexangular nut	4	
4	612001004	Stainless steel screw	4	
5	612001005	Funnel	4	
6	612001006	Triagonal nut	1	
7	612001007	Board	1	400*340*25cm
8	612001008	Stainless steel nut	4	
9	612001009	Right plate	1	10L=498cm 15L=605cm
10	612001010	Stainless steel stuff tube	1	10L=270*219 15L=400*219
11	612001011	Rack	1	10L=628cm 15L=745cm
12	612001012	Shell of Gear base	1	
13	612001013	Hexangular Bolt	4	
14	612001014	Stainless steel crossing bolt	8	
15	612001015	Gear	1	
16	612001016	Axle of small gear	1	
17	612001017	Handle	1	
18	612001018	Axle of big gear	1	
19	612001019	Gear base	1	

**Soluciones de pesaje y
equipos para alimentos**

EMBUTIDORA MANUAL MARCA BBG REF: TVR

SN	Code	Name	Quantity	Remark
20	612001020	Bottom board	1	
21	612001021	Stainless steel crossing bolt	4	
22	612001022	Stainless steel crossing bolt	1	
23	612001023	Pistol	1	
24	612001024	Pistol rubber band	1	
25	612001025	Spring	1	
26	612001026	Vent pin	1	
27	612001027	Elastic pin	2	

I.Operation:

- 1)Wash the Parts which contact with the food clearly, arranges the funnel and the make the casing link on the funnel.
- 2)Put the handle in Big gear-axle turn it clockwise to make the pistol out of the cylinder.
- 3)Pull out the cylinder add material into it; Put the cylinder back again
- 4)Fix the handle in small gear- axle turn it clockwise to make the pistol into the cylinder
- 5)Turn the handle material will be in the casing do it constantly until the material is used up.
- 6)Do operation 2 again.

II.Repair and maintenance

- 1)Take off the cylinder and pistol after using and wash them clearly
- 2)Wipe the body with cloth
- 3)Before using and during operating add oil to the gear stand big gear and small gear and rack twice.

BBC
Soluciones de pesaje y
equipos para alimentos

EMBUTIDORA MANUAL MARCA BBG REF: TVR